

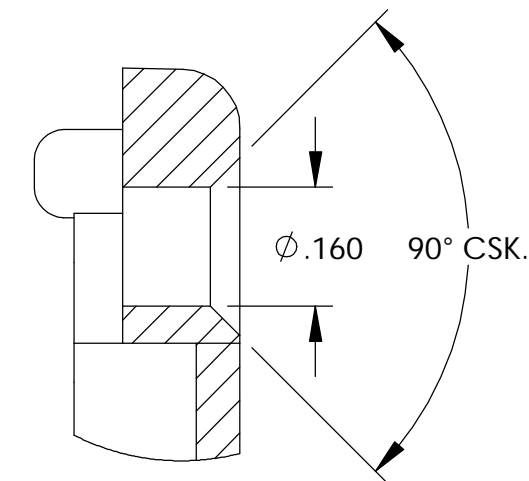
THE INFORMATION CONTAINED IN THIS DRAWING IS THE SOLE PROPERTY OF BUD INDUSTRIES INC. ANY REPRODUCTION IN PART OR WHOLE WITHOUT THE WRITTEN PERMISSION OF BUD INDUSTRIES INC. IS PROHIBITED.

MATERIAL - ALUMINUM ALLOY #ADC-12
 FINISH - NATURAL (CONTACT BUD FACTORY FOR ALTERNATE FINISHES)
 GASKET - RATED IP65 NEOPRENE, SELF-ADHESIVE, 3mm THICK, COLOR BLACK
 SCREWS - STAINLESS STEEL, M3.5 x 12mm LG., CSK. HEAD, SELF-THREADING

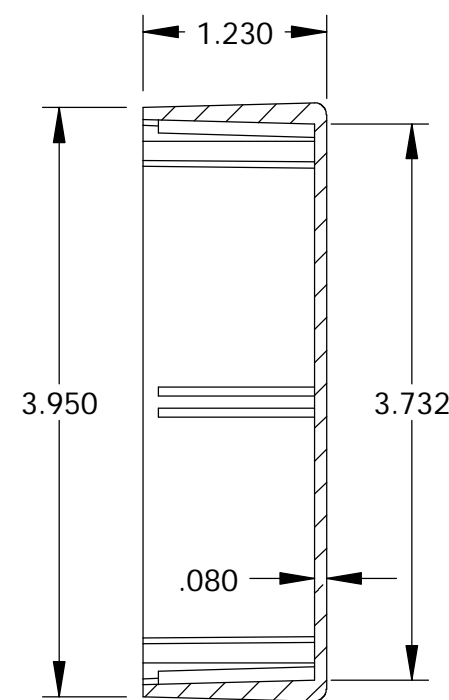
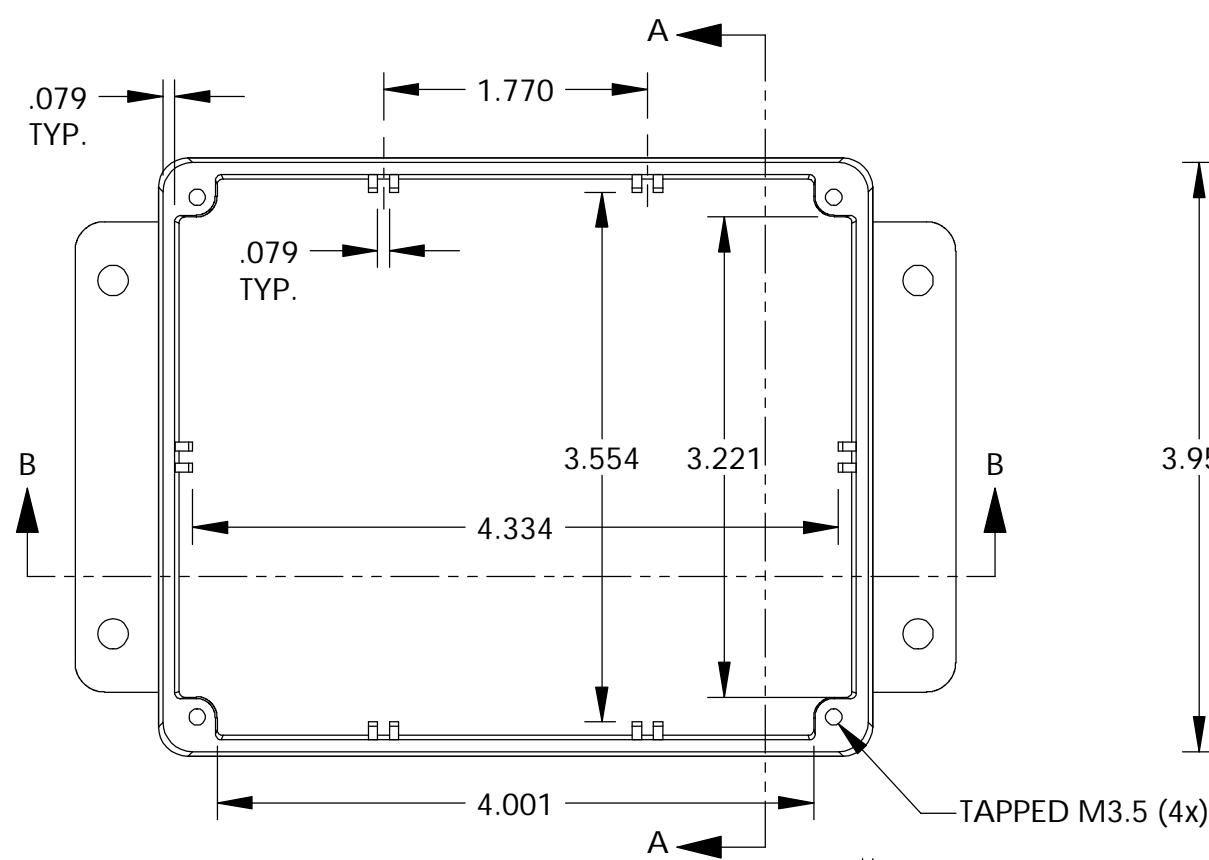
ALL HOLE DIAMETERS HAVE $\pm .005$ TOLERANCE.
 ALL OTHER DIMENSIONS HAVE $\pm .015$ TOLERANCE.

ENCLOSURES ARE SHIPPED UNASSEMBLED WITH ALL ITEMS SHOWN.

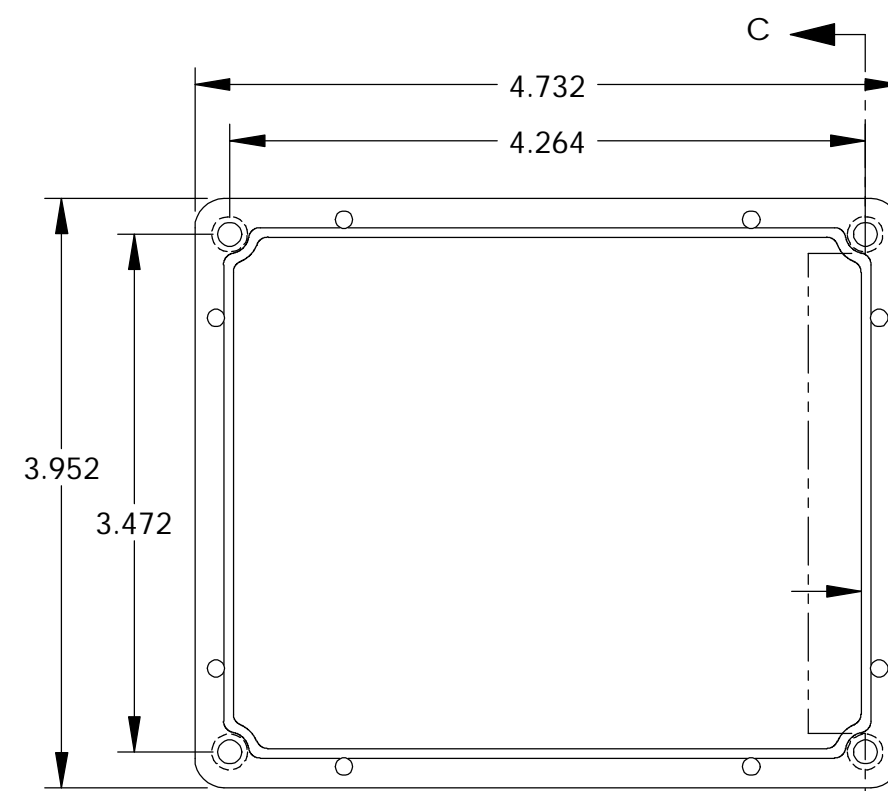
DWG. NO.	CN-6706
ISSUE	REVISIONS



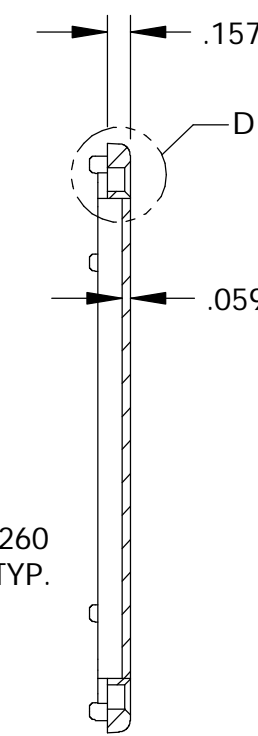
DETAIL D
SCALE 4 : 1



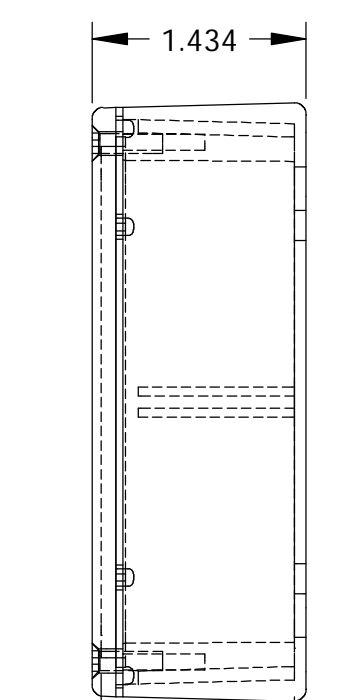
SECTION A-A



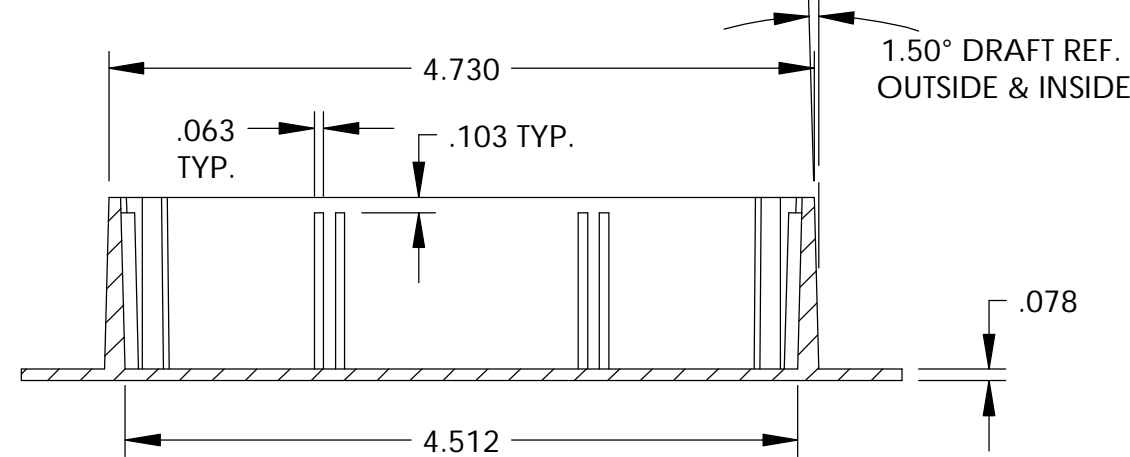
COVER



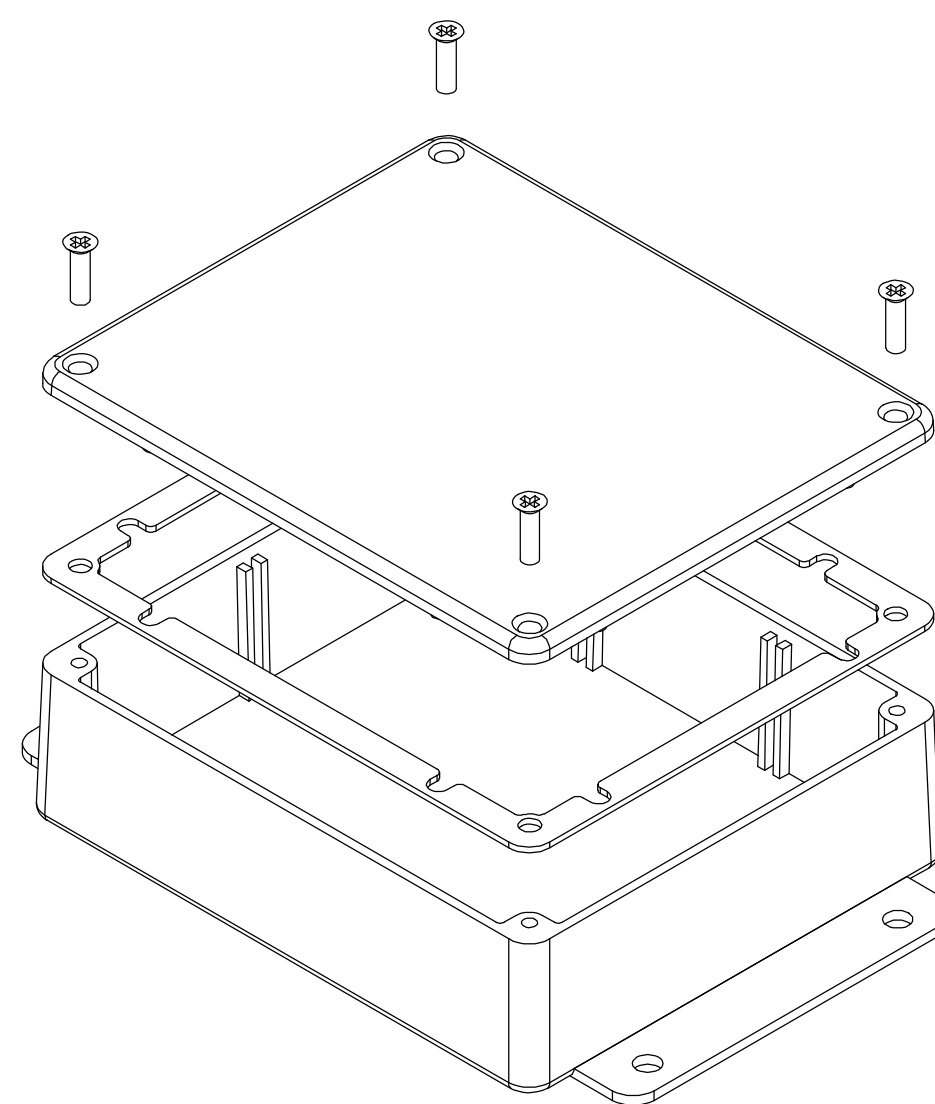
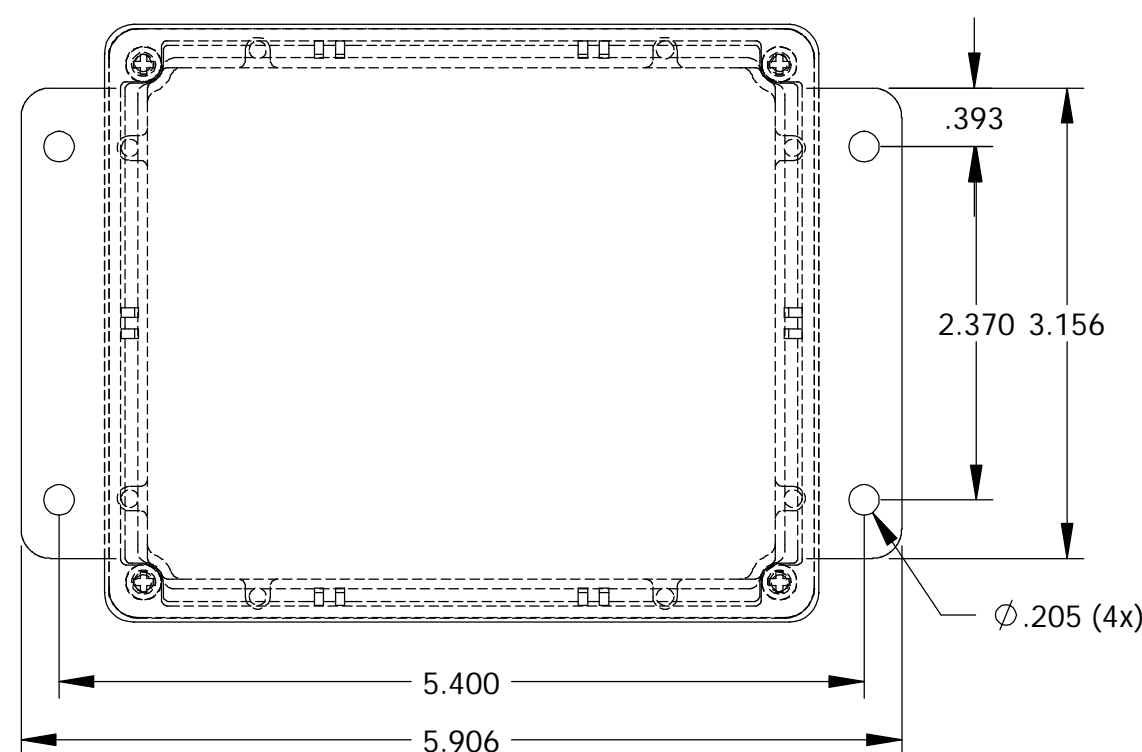
SECTION C-C



1.295 INSIDE CLEAR HT.



SECTION B-B



PARTS LIST		BUD INDUSTRIES INC.	
APPROVALS	DATE	DRAWN: DAB 4-3-06	
CHECKED		MATERIAL: AS NOTED	
APPROVED		FINISH: AS NOTED	
QTY.	USED ON	DO NOT SCALE DRAWING	SCALE
DWG. NO. CN-6706		REV.	
SHEET 1 OF 1		CAD FILE:	